

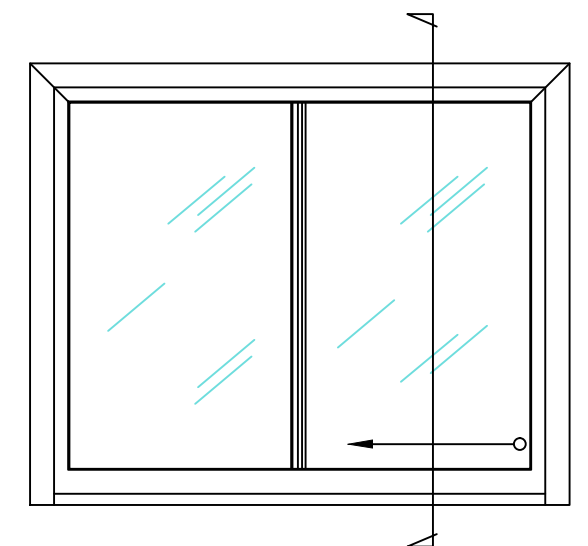
LEGEND:

- A. DOOR UNIT ALUMINUM FRAME WITH FOAM TAPE AS REQUIRED.
- B. SOUND ISOLATED, REMOVABLE ALUMINUM SASH.
- C. SOUNDPROOF 1/4" LAMINATED WINDOW GLAZING (TYP.)
- D. DOOR FRAME MOUNTING FIN WITH MOUNTING HARDWARE AS REQUIRED.

SOUNDPROOF WINDOWS SLIDING GLASS DOORS MAY BE INSTALLED ON THE INTERIOR OR EXTERIOR OF A DOOR OPENING AND MAY BE INSTALLED WITH ONE OR BOTH PANELS OPERATIONAL PER CUSTOMER REQUIREMENTS.

SEE #03 FOR DETAILED INFORMATION ABOUT FRAME INSTALLATION.

SOUNDPROOF WINDOWS SLIDING GLASS DOORS MAY BE INSTALLED ON THE INTERIOR OR EXTERIOR OF A DOOR OPENING AND MAY BE INSTALLED WITH ONE OR BOTH PANELS OPERATIONAL PER CUSTOMER REQUIREMENTS.



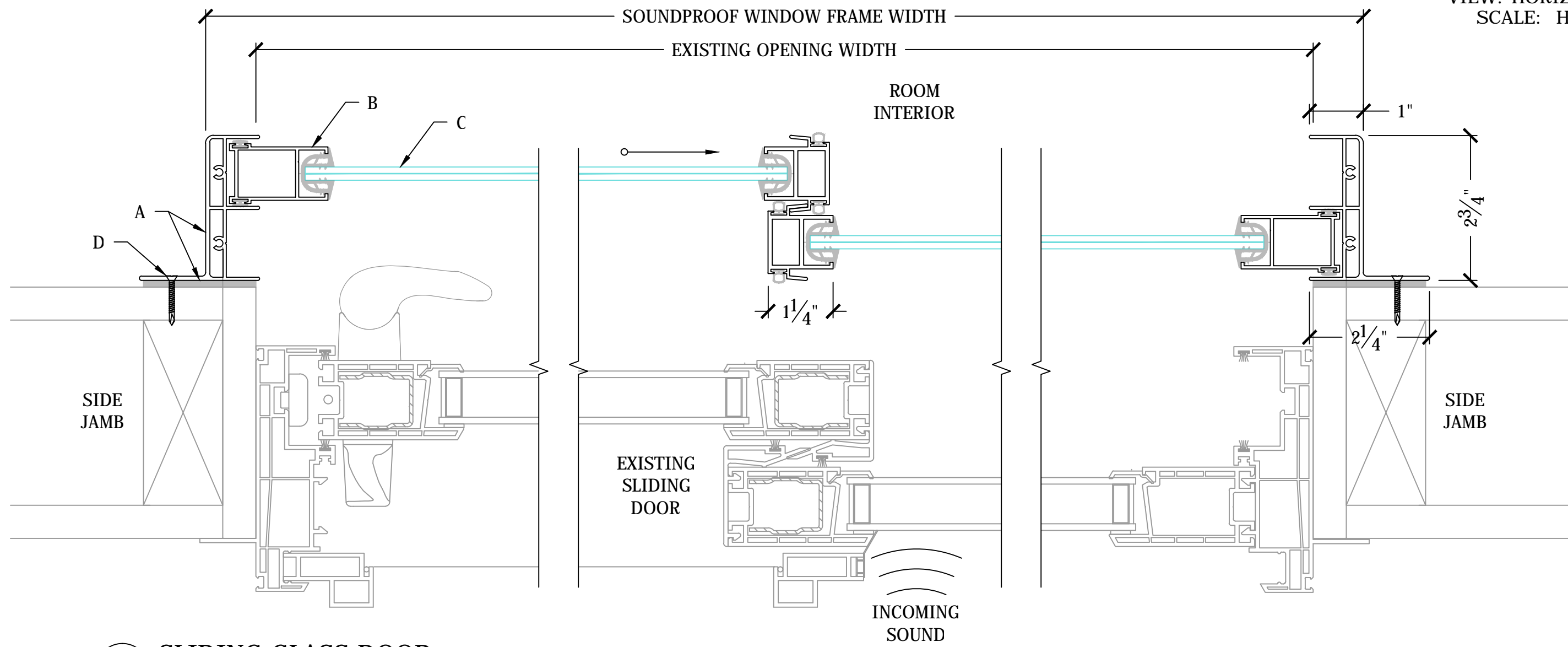
A SLIDING GLASS DOOR

SCALE: 1:2



soundproofwindows.com
1.877.438.7843
1.877.226.4063 fax

SLIDING GLASS DOOR - 01



A SLIDING GLASS DOOR

SCALE: 1:2

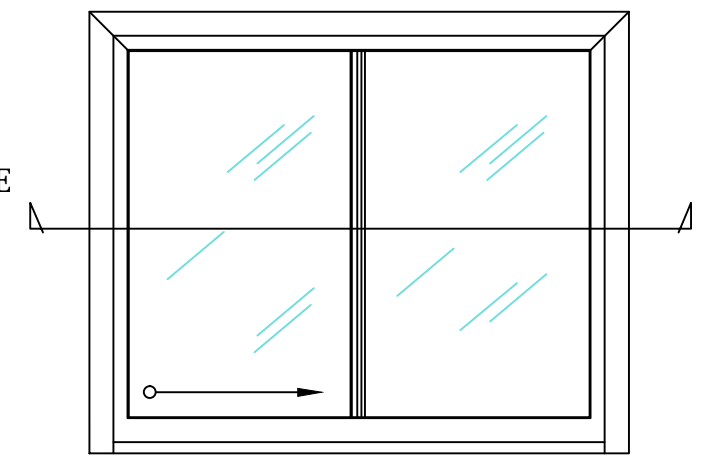
SOUNDPROOF WINDOWS SLIDING GLASS DOORS MAY BE INSTALLED ON THE INTERIOR OR EXTERIOR OF A DOOR OPENING AND MAY BE INSTALLED WITH ONE OR BOTH PANELS OPERATIONAL PER CUSTOMER REQUIREMENTS.

LEGEND:

- A. DOOR UNIT ALUMINUM FRAME WITH FOAM TAPE AS REQUIRED.
- B. SOUND ISOLATED, REMOVABLE ALUMINUM SASH.
- C. SOUNDPROOF CUSTOM 5/8" LAMINATED WINDOW GLAZING (TYP.)
- D. DOOR FRAME MOUNTING FIN WITH MOUNTING HARDWARE AS REQUIRED.

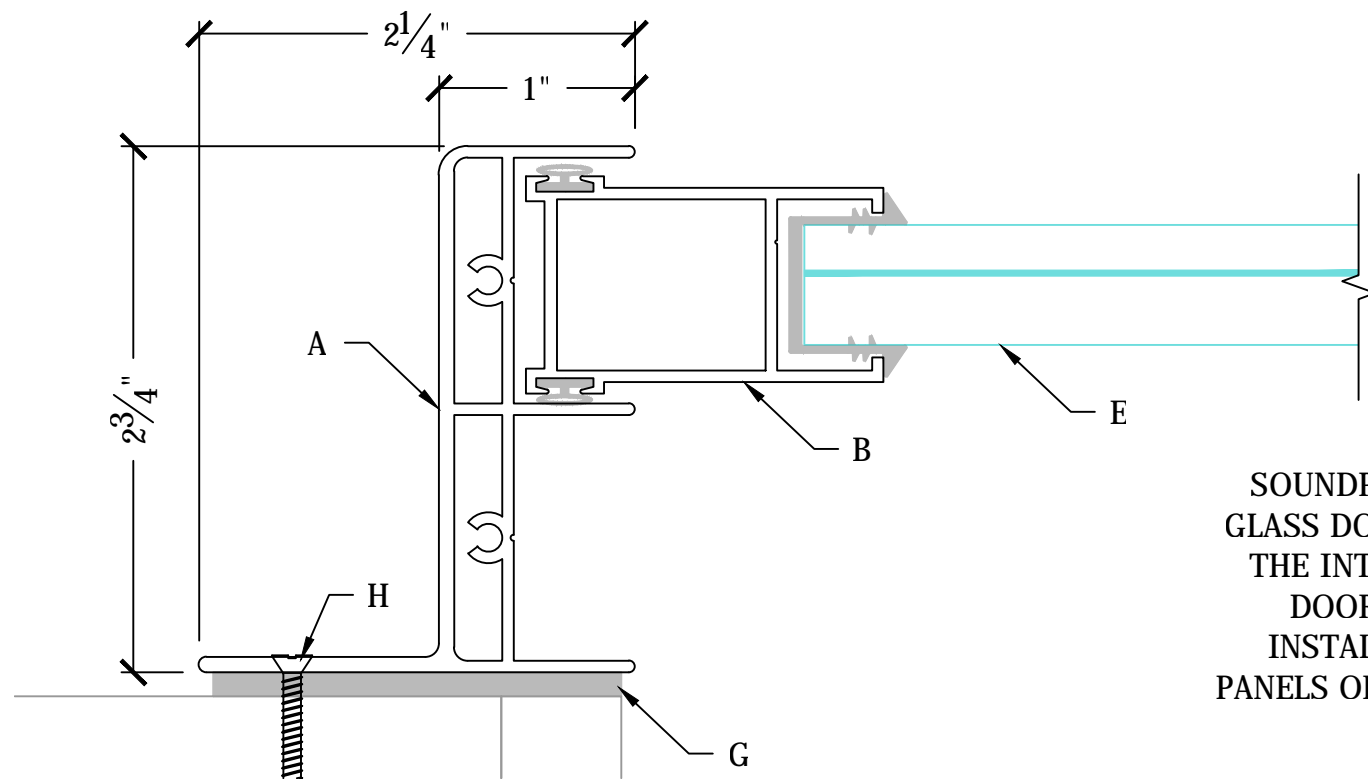
SOUNDPROOF WINDOWS SLIDING GLASS DOORS MAY BE INSTALLED ON THE INTERIOR OR EXTERIOR OF A DOOR OPENING AND MAY BE INSTALLED WITH ONE OR BOTH PANELS OPERATIONAL PER CUSTOMER REQUIREMENTS.

SEE #03 FOR DETAILED INFORMATION ABOUT FRAME INSTALLATION.



**SOUNDPROOF[®]
WINDOWS, INC.**
soundproofwindows.com
1.877.438.7843
1.877.226.4063 fax

SLIDING GLASS DOOR - 02



B SIDE WALL DETAIL
SCALE: 1:1

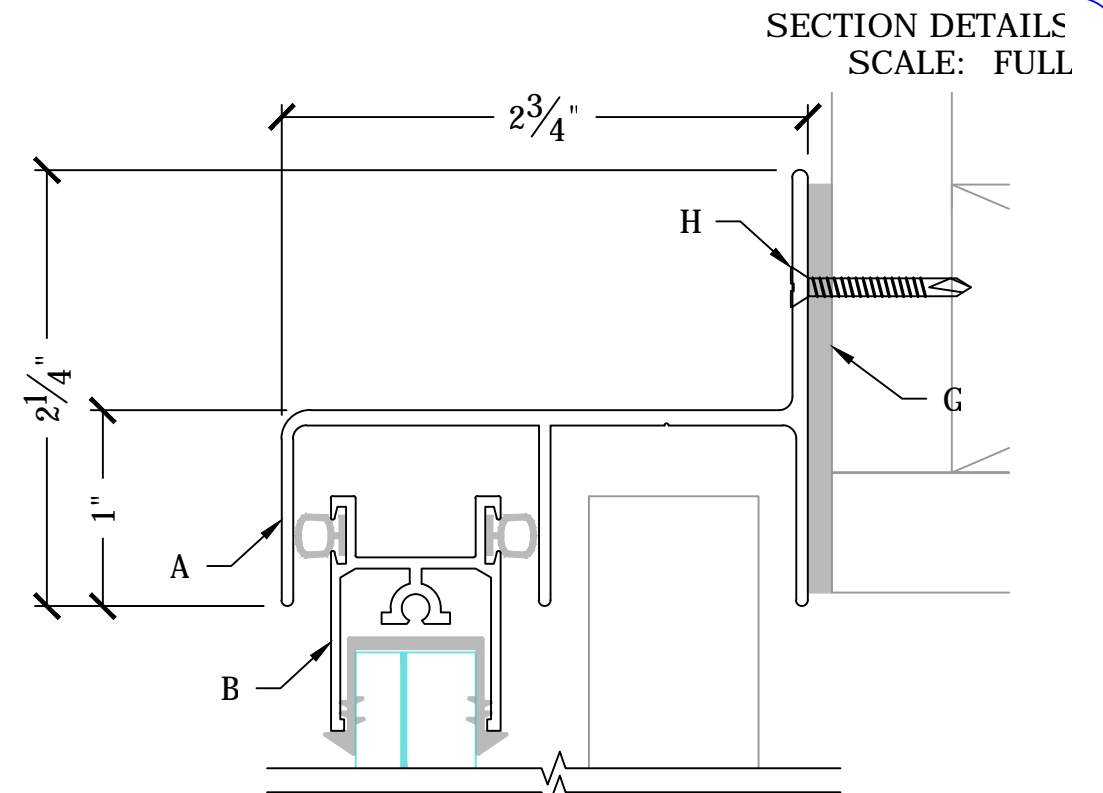
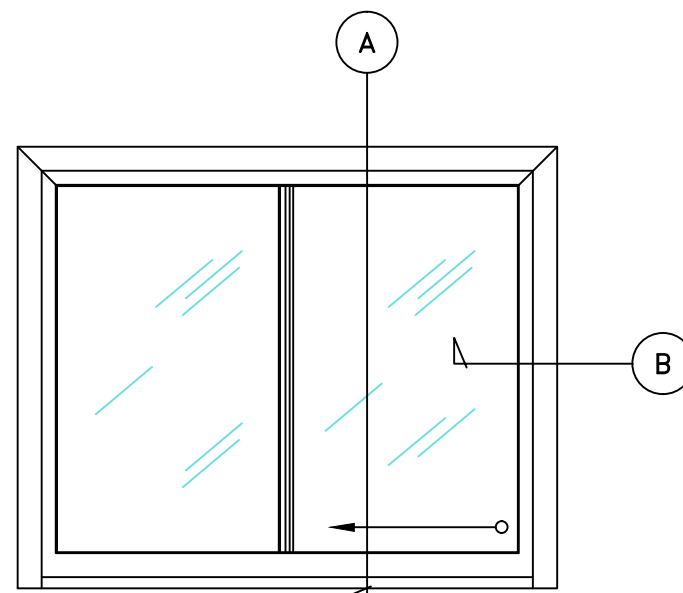
LEGEND:

- A. SURFACE MOUNT ALUMINUM FRAME COMPONENT INSTALLED ONTO EXISTING OPENING .
- B. SOUND INSULATED MOVABLE ALUMINUM SASH COMPONENT WITH GLAZING BOOT, TYP.
- C. SOUND INSULATED ALUMINUM SASH WITH INSET ROLLING MECHANISM.
- D. DOOR BLOCK TRACK INSERT. BOTH PANELS OPERATE WHEN REMOVED.
- E. OPTIONAL 5/8" GLAZING SHOWN, 1/4" GLAZING TYPICAL.
- F. PROVIDE CONTINUOUS CAULK BEAD WHERE REQUIRED.
- G. 1/8" THICK MOUNTING FOAM TAPE AS REQUIRED.
- H. DOOR FRAME MOUNTING FIN WITH MOUNTING HARDWARE AS REQUIRED.

FOR SEVERE NOISE CONDITIONS, 5/8" GLAZING AVAILABLE AS SHOWN IN THIS DRAWING.

SOUNDPROOF WINDOWS SLIDING GLASS DOORS MAY BE INSTALLED ON THE INTERIOR OR EXTERIOR OF A DOOR OPENING AND MAY BE INSTALLED WITH ONE OR BOTH PANELS OPERATIONAL PER CUSTOMER REQUIREMENTS.

MOUNTING DETAILS



A SILL AND HEADER DETAIL
SCALE: 1:1

SOUNDPROOF[®] WINDOWS, INC.
soundproofwindows.com
 1.877.438.7843
 1.877.226.4063 fax

SLIDING GLASS DOOR - 03