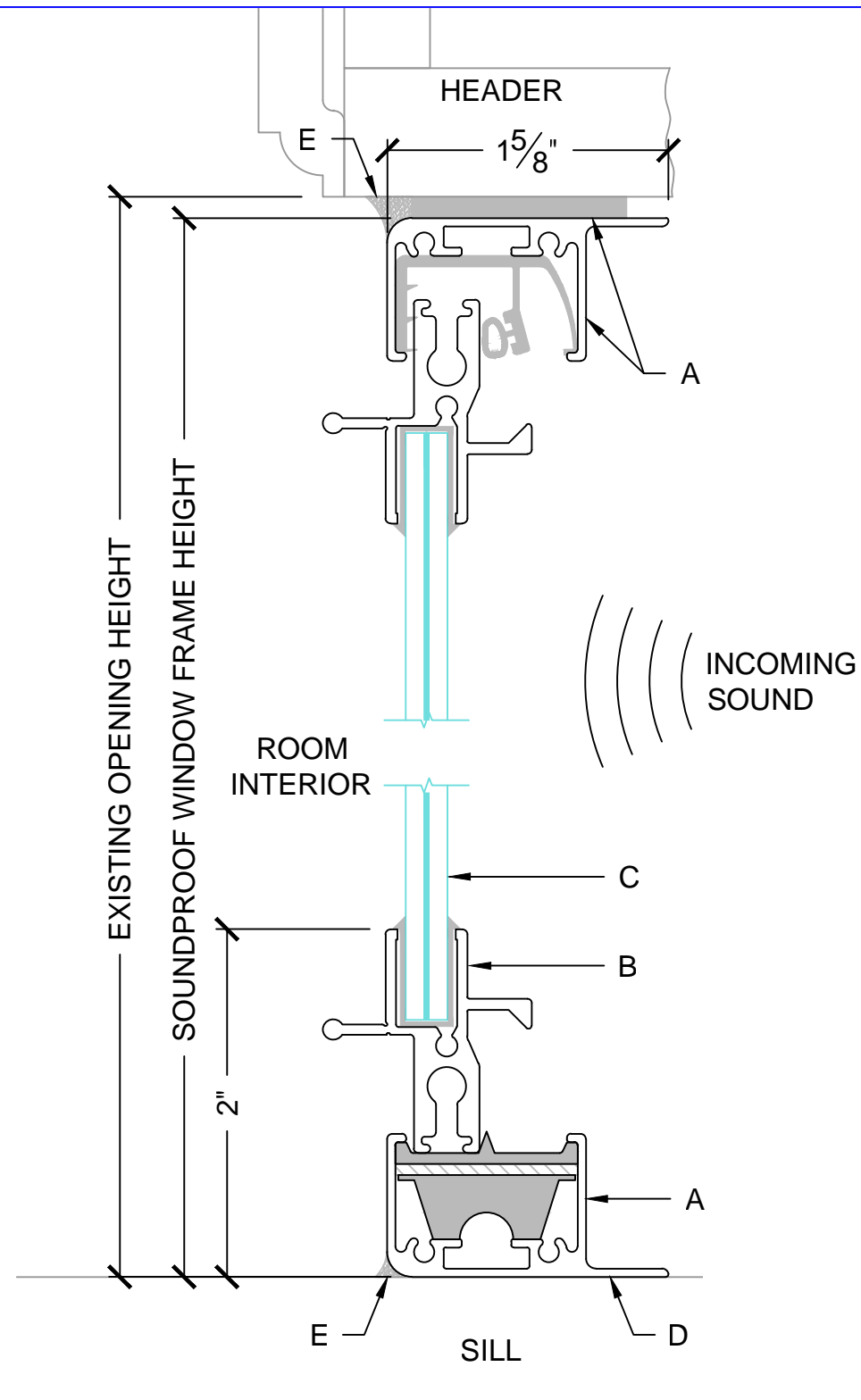
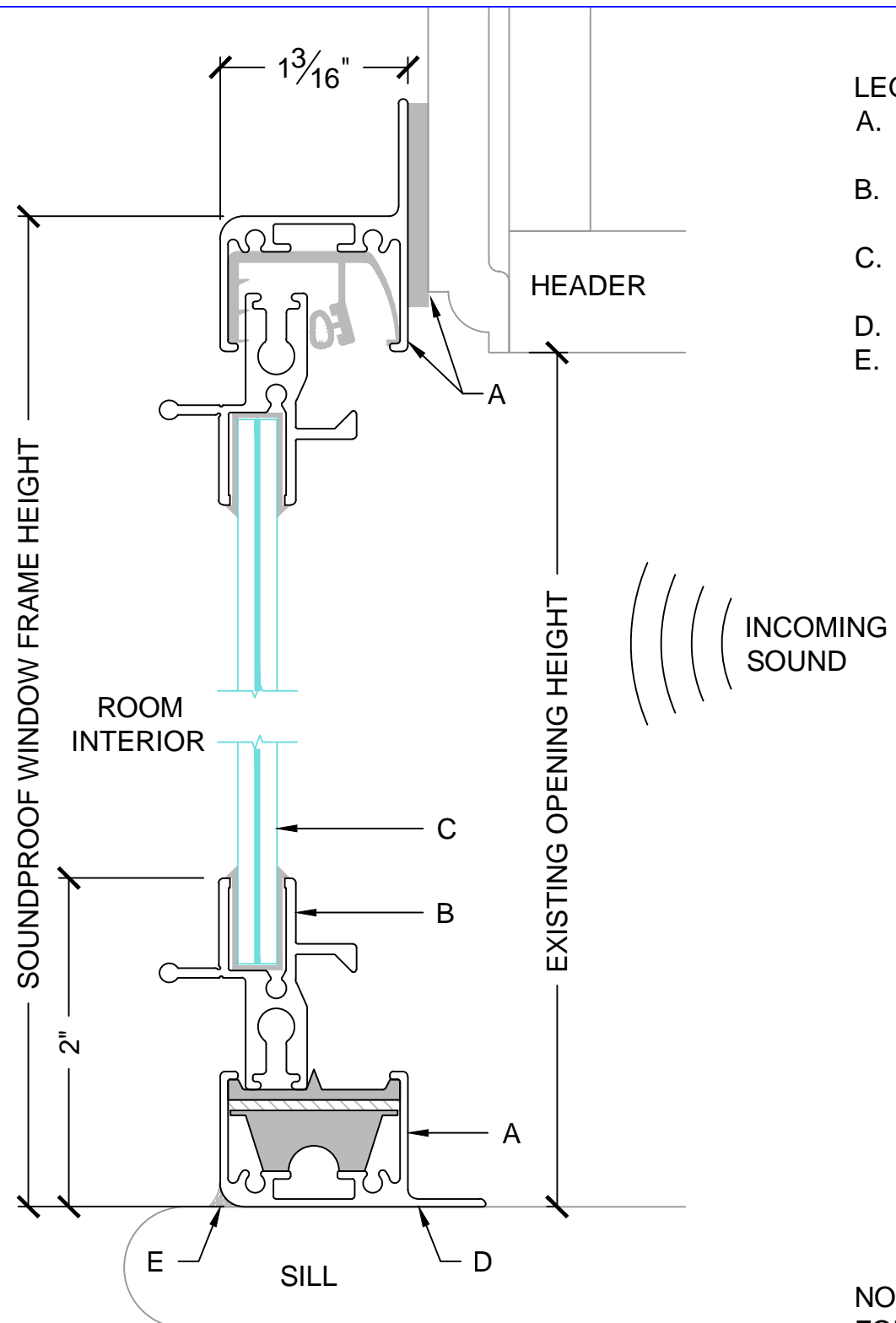


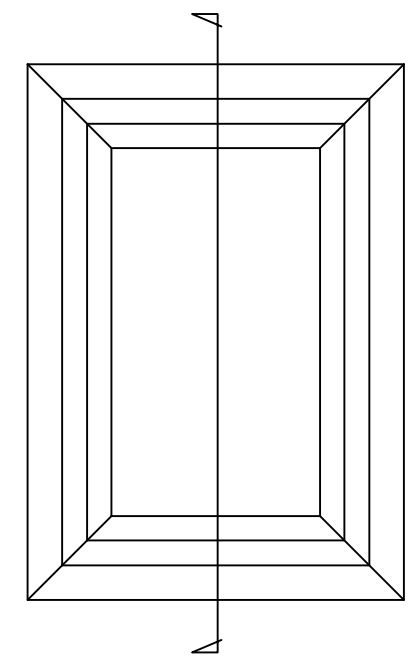
- LEGEND:
- A. WINDOW UNIT ALUMINUM FRAME WITH FOAM TAPE AS REQUIRED.
  - B. SOUND ISOLATED, REMOVABLE ALUMINUM WINDOW FRAME.
  - C. ENGINEERED LAMINATED WINDOW GLAZING.
  - D. WINDOW FRAME MOUNTING FIN.
  - E. CONTINUOUS CAULK BEAD.



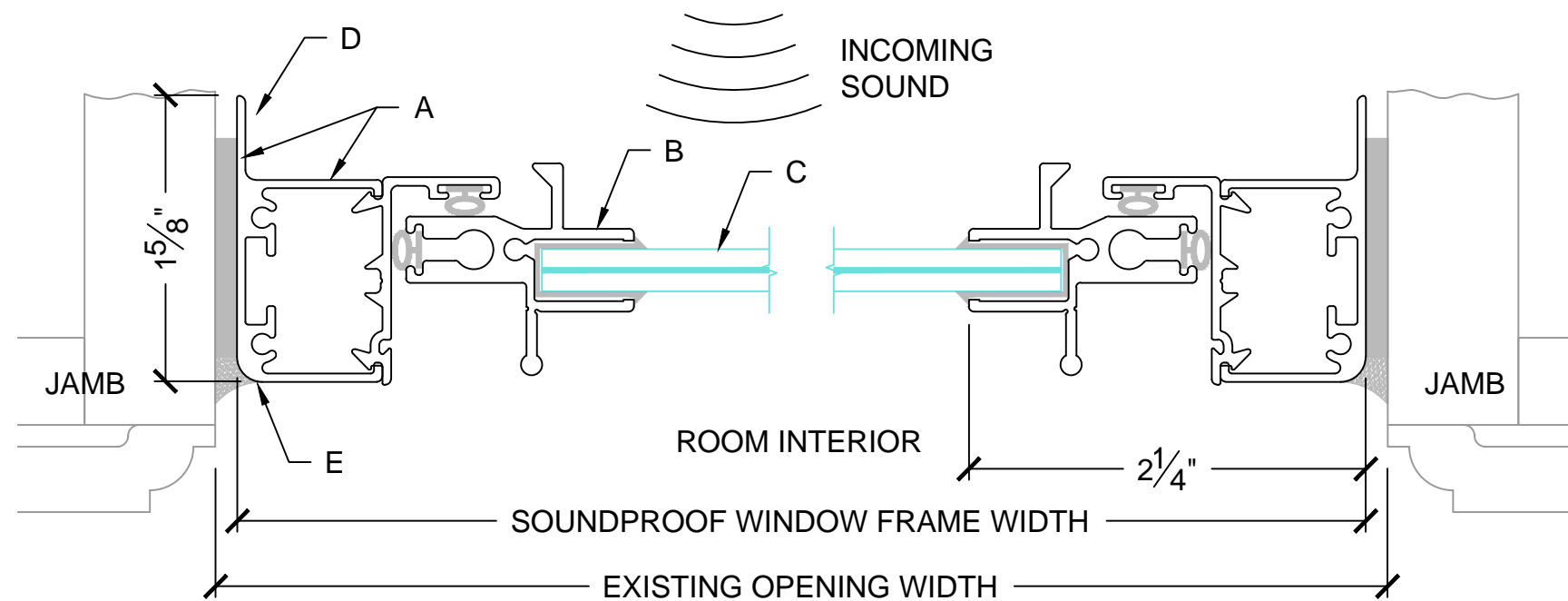
**A** STANDARD MOUNT  
SCALE: 1:1



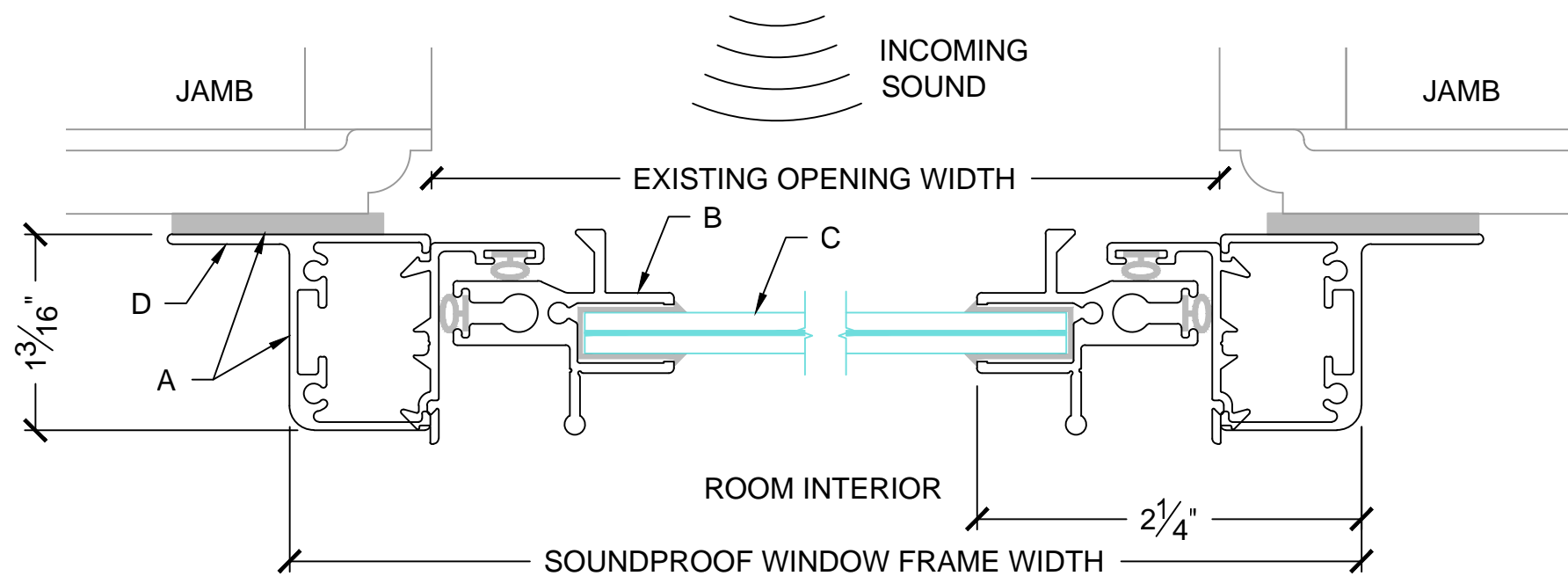
**B** SURFACE MOUNT  
SCALE: 1:1



NOTE: SEE INSTALLATION DRAWINGS FOR MORE INFORMATION..

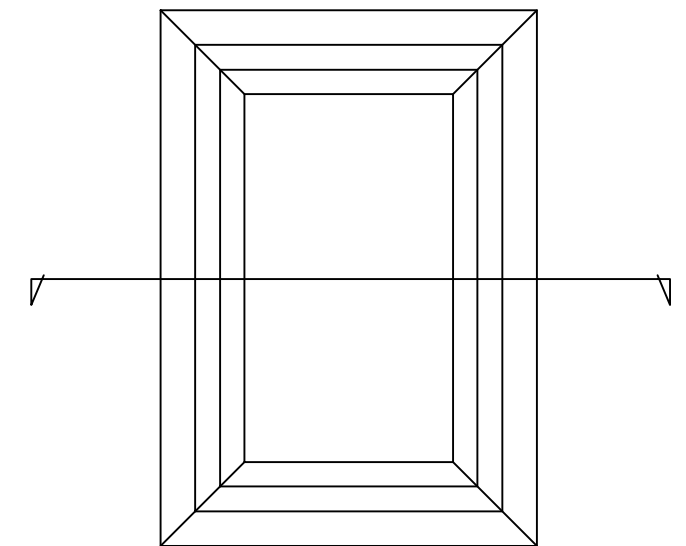


**A STANDARD MOUNT**  
SCALE: 1:1



**B SURFACE MOUNT**  
SCALE: 1:1

- LEGEND:
- A. WINDOW UNIT ALUMINUM FRAME WITH FOAM TAPE AS REQUIRED.
  - B. SOUND ISOLATED, REMOVABLE ALUMINUM WINDOW FRAME.
  - C. ENGINEERED LAMINATED WINDOW GLAZING.
  - D. WINDOW FRAME MOUNTING FIN.
  - E. CONTINUOUS CAULK BEAD.



NOTE: SEE INSTALLATION DRAWINGS FOR MORE INFORMATION.