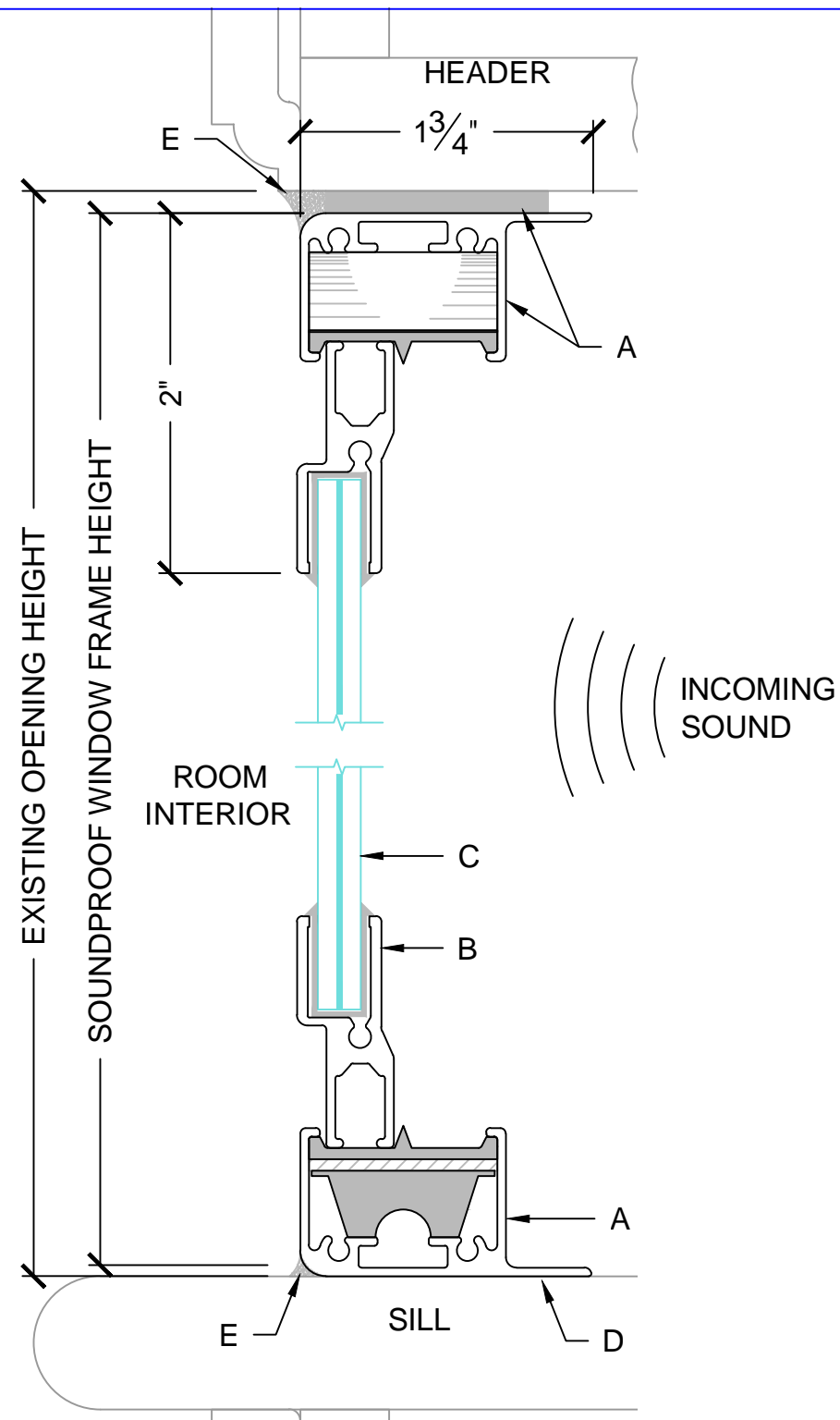
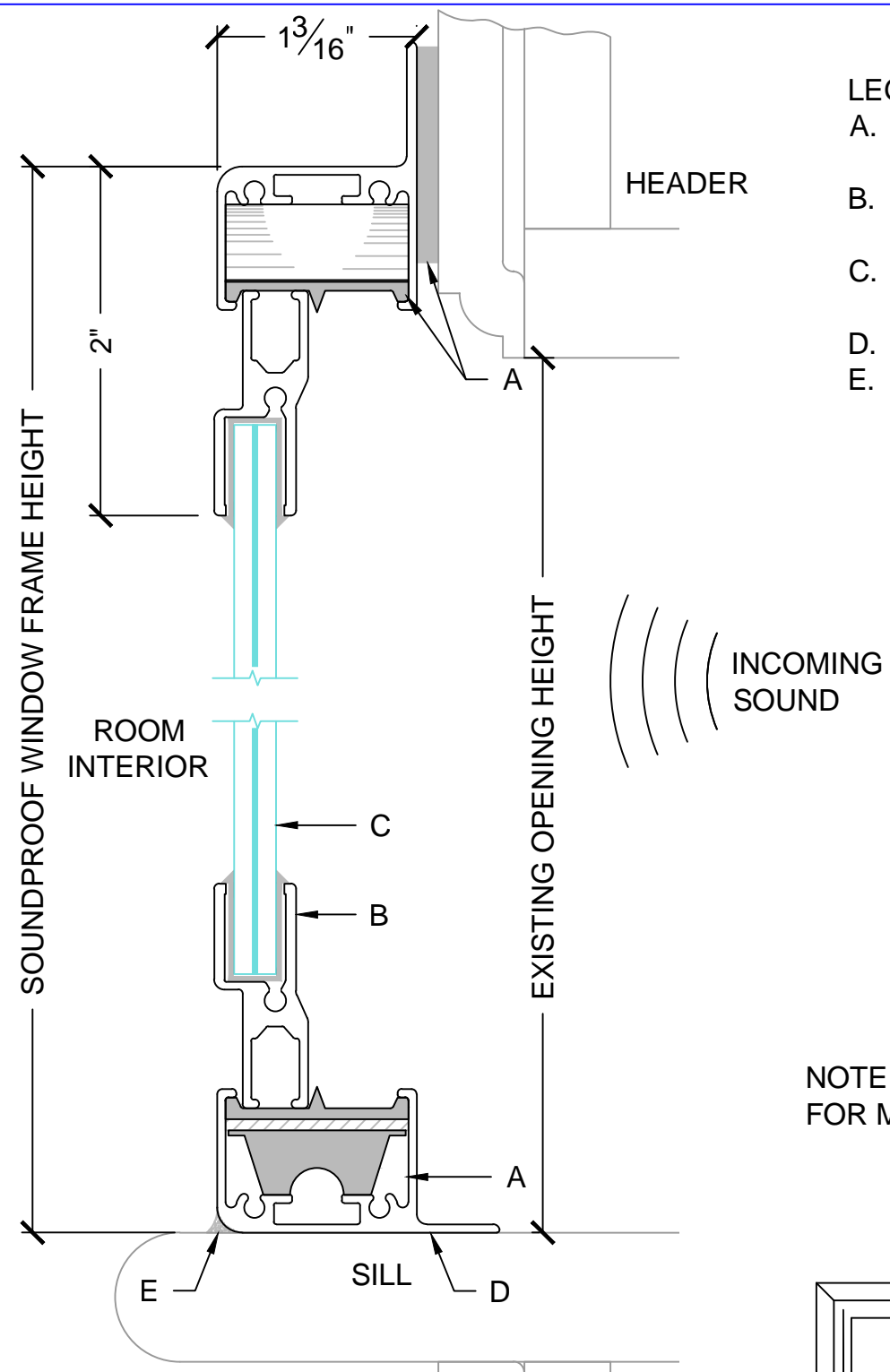


LEGEND:

- A. WINDOW UNIT ALUMINUM FRAME WITH FOAM TAPE AS REQUIRED.
- B. SOUND ISOLATED, OPERABLE ALUMINUM WINDOW SASH.
- C. ENGINEERED LAMINATED WINDOW GLAZING.
- D. WINDOW FRAME MOUNTING FIN.
- E. CONTINUOUS CAULK BEAD.

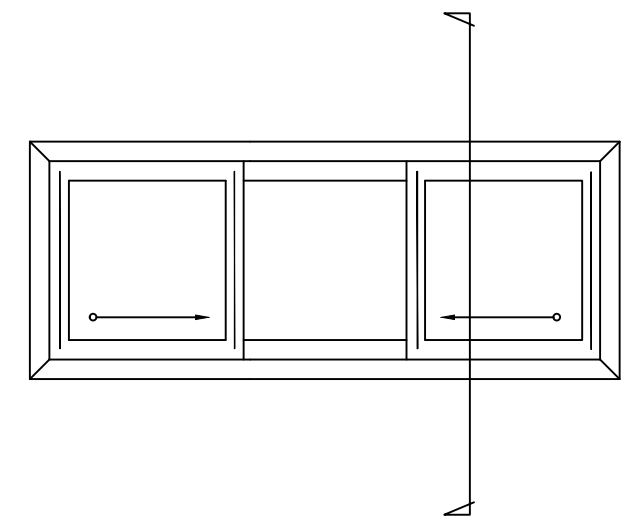


**A** STANDARD MOUNT  
SCALE: 1:1



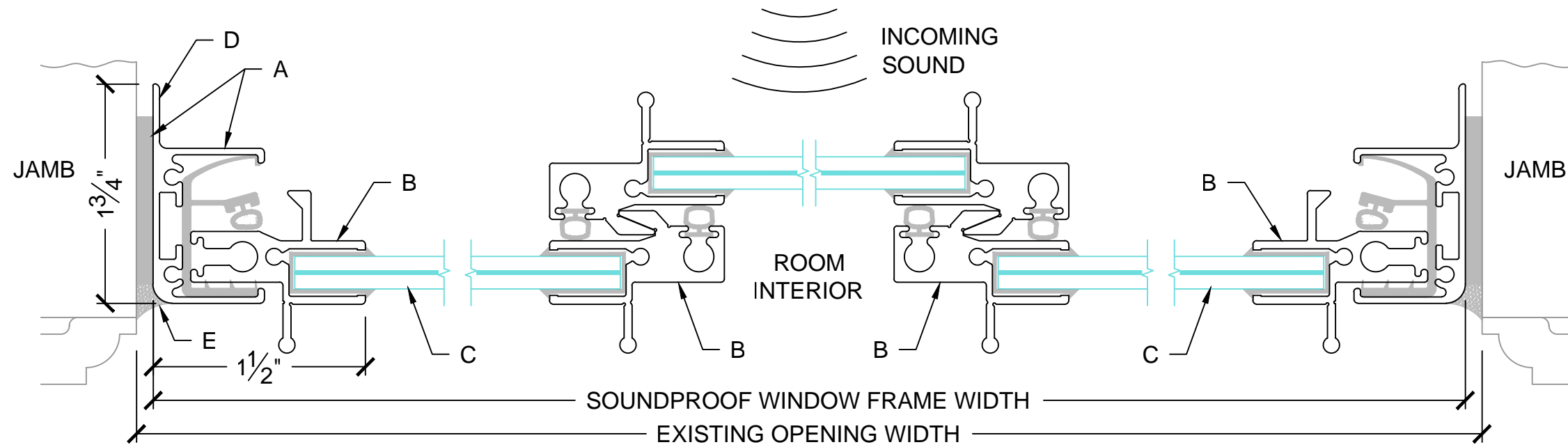
**B** SURFACE MOUNT  
SCALE: 1:1

NOTE: SEE INSTALLATION DRAWINGS FOR MORE INFORMATION.



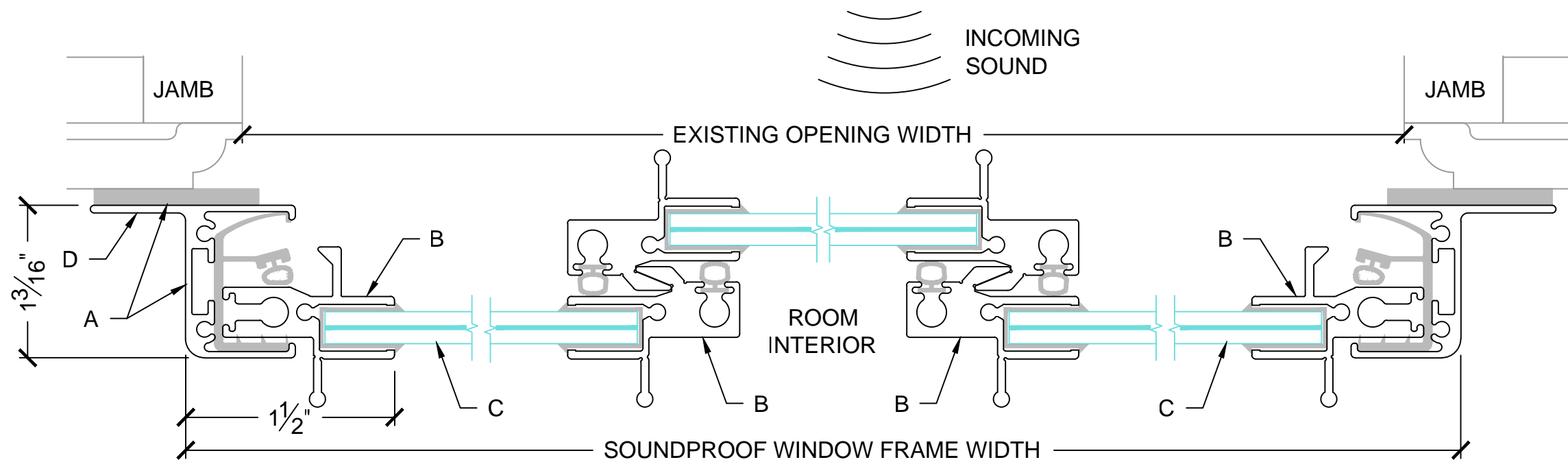
soundproofwindows.com  
1.877.438.7843  
1.877.226.4063 fax

# SLIDER XXX - 01



- LEGEND:
- A. WINDOW UNIT ALUMINUM FRAME WITH FOAM TAPE AS REQUIRED.
  - B. SOUND ISOLATED, OPERABLE ALUMINUM WINDOW SASH.
  - C. ENGINEERED LAMINATED WINDOW GLAZING.
  - D. WINDOW FRAME MOUNTING FIN.
  - E. CONTINUOUS CAULK BEAD.

**A STANDARD MOUNT**  
SCALE: 1:1



**B SURFACE MOUNT**  
SCALE: 1:1

NOTE: SEE INSTALLATION DRAWINGS FOR MORE INFORMATION.

