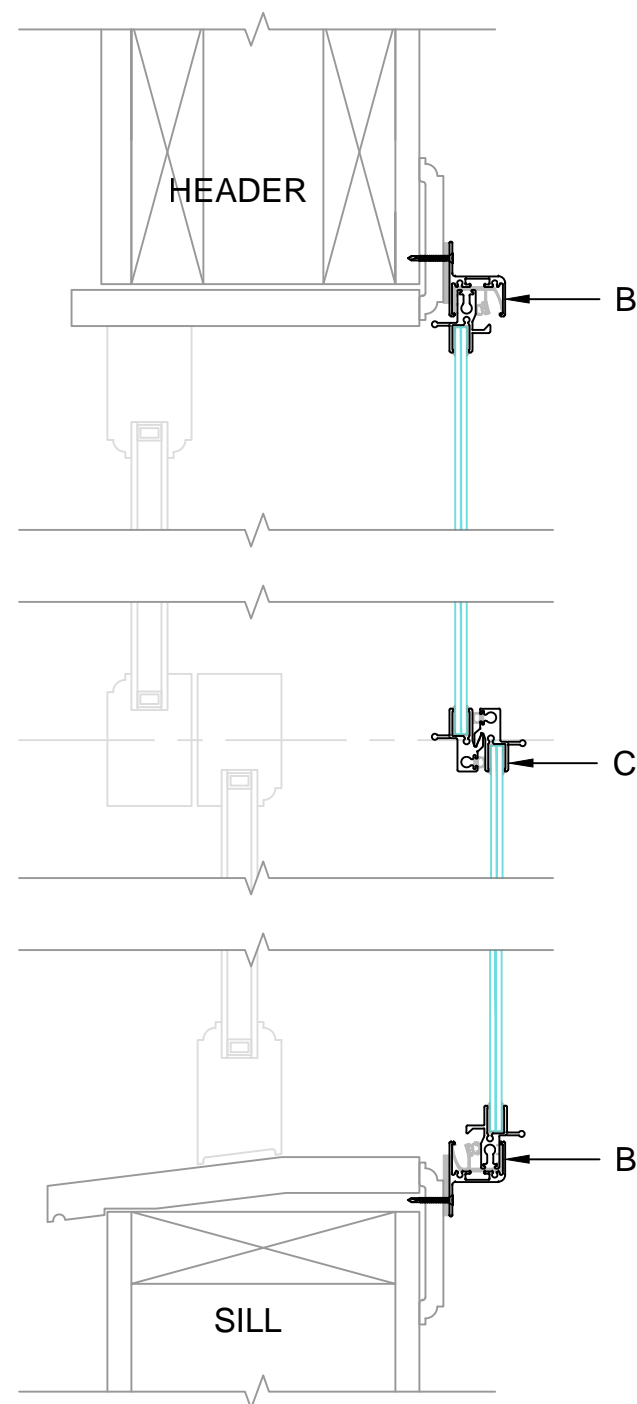
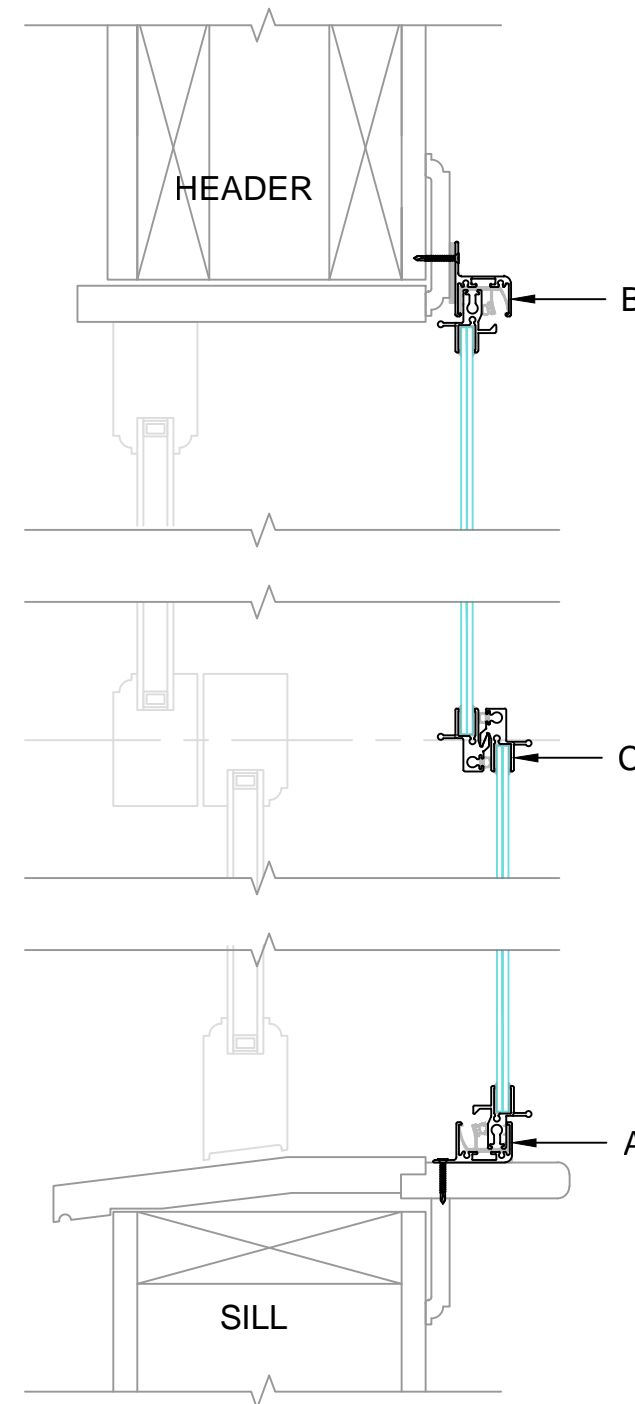


STANDARD MOUNT FRAME
INSET TO EXISTING
OPENING



SURFACE MOUNT FRAME
INSTALLED ONTO EXISTING
OPENING



SURFACE MOUNT FRAME
INSTALLED ONTO EXISTING
OPENING WITH SILL

NOTES:

SOUNDPROOF WINDOWS ARE CUSTOM
MANUFACTURED TO FIT ANY CONDITION.

SINGLE HUNG WINDOW STYLE WITH
DIFFERENT FRAME COMPONENTS
SHOWN IN THIS SECTION PLAN. OTHER
STYLES ARE SIMILARLY INSTALLED.

LEGEND:

A. STANDARD MOUNT FRAME
COMPONENT (SHOWN) OR FINLESS
MOUNT AS REQ'D.

B. SURFACE MOUNT FRAME
COMPONENT

C. INTERLOCKING SASH COMPONENTS

SEE INSTALLATION - 03 FOR MORE
DETAIL



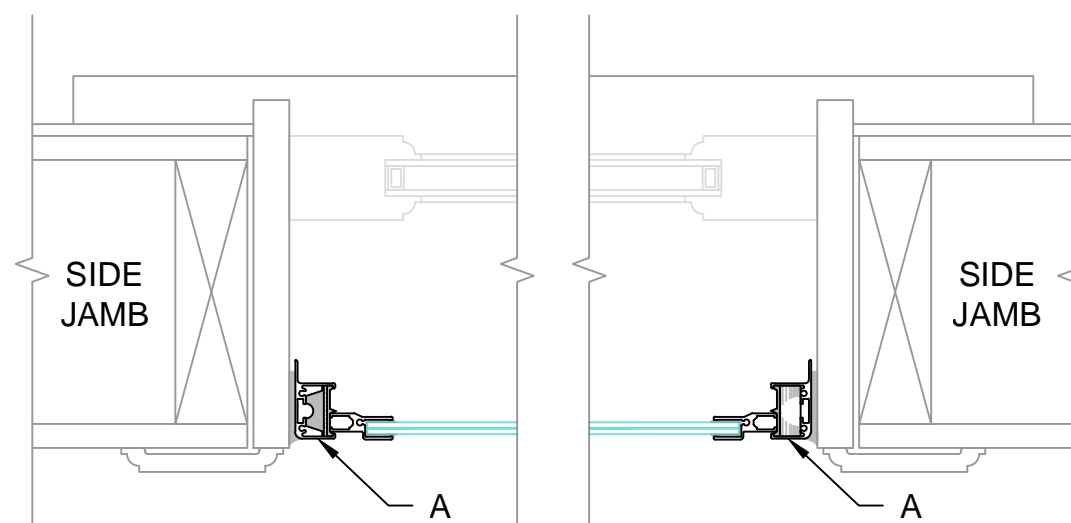
SOUNDPROOF[®]
WINDOWS

soundproofwindows.com

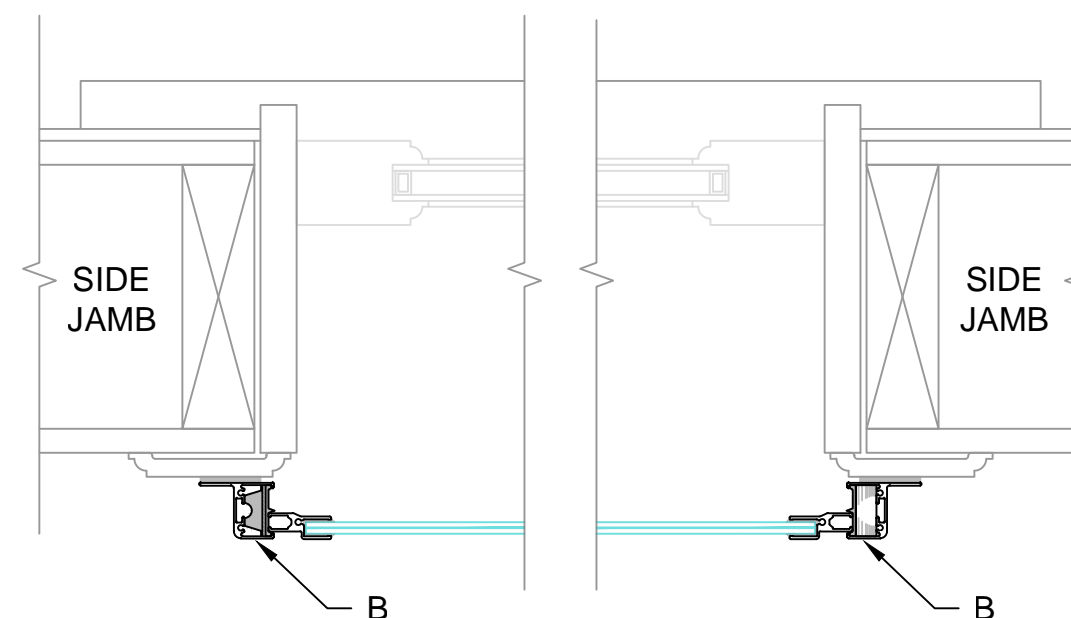
1.877.438.7843

1.877.226.4063 fax

INSTALLATION - 01



STANDARD MOUNT FRAME
INSET TO EXISTING OPENING



SURFACE MOUNT FRAME INSTALLED
ONTO EXISTING OPENING

NOTES:

SOUNDPROOF WINDOWS ARE CUSTOM
MANUFACTURED TO FIT ANY CONDITION.

SINGLE HUNG WINDOW STYLE WITH
DIFFERENT FRAME COMPONENTS
SHOWN IN THIS SECTION PLAN. OTHER
STYLES ARE SIMILARLY INSTALLED.

LEGEND:

A. STANDARD MOUNT FRAME
COMPONENT (SHOWN) OR FINLESS
MOUNT AS REQ'D.

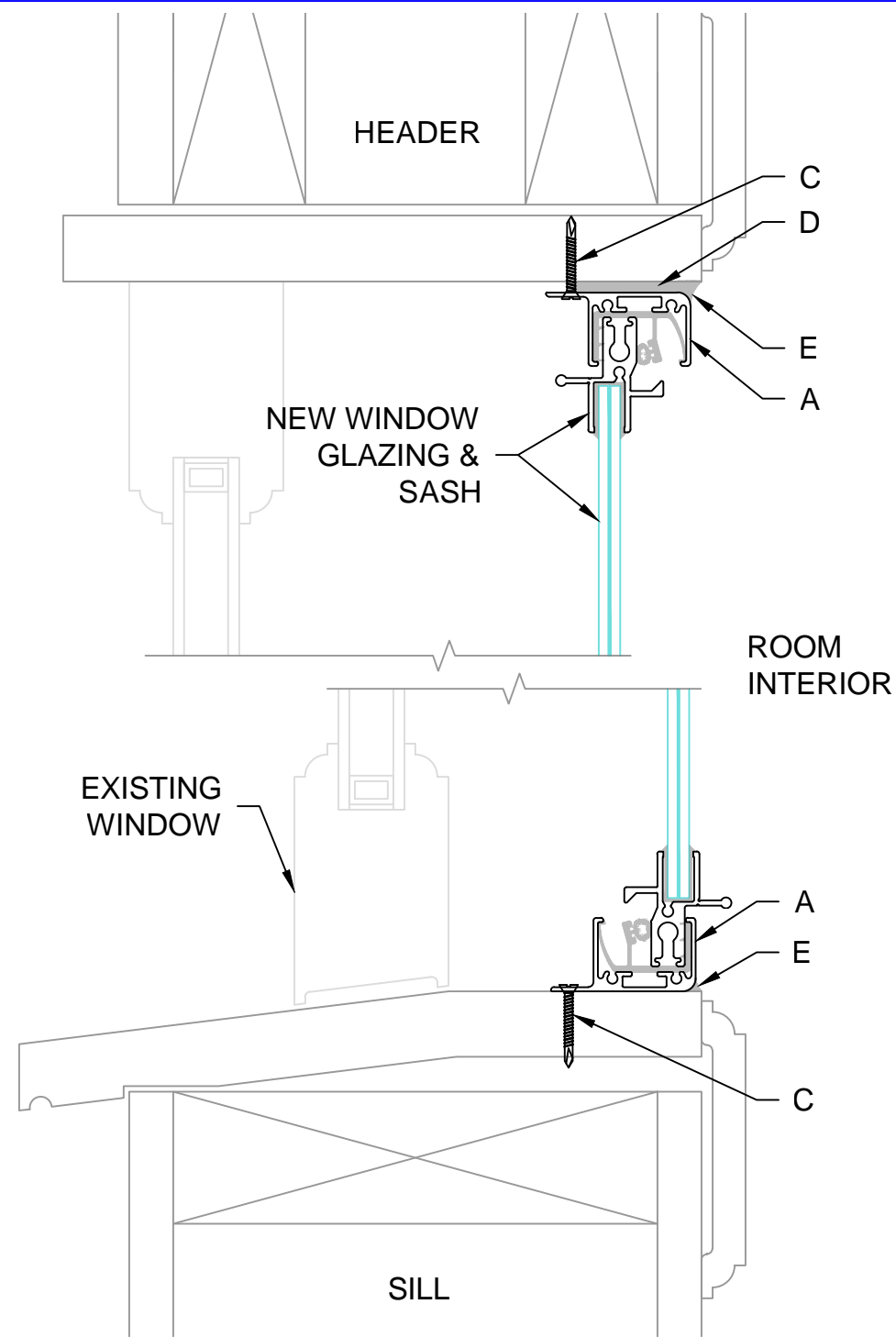
B. SURFACE MOUNT FRAME
COMPONENT

SEE INSTALLATION - 03 FOR MORE
DETAIL

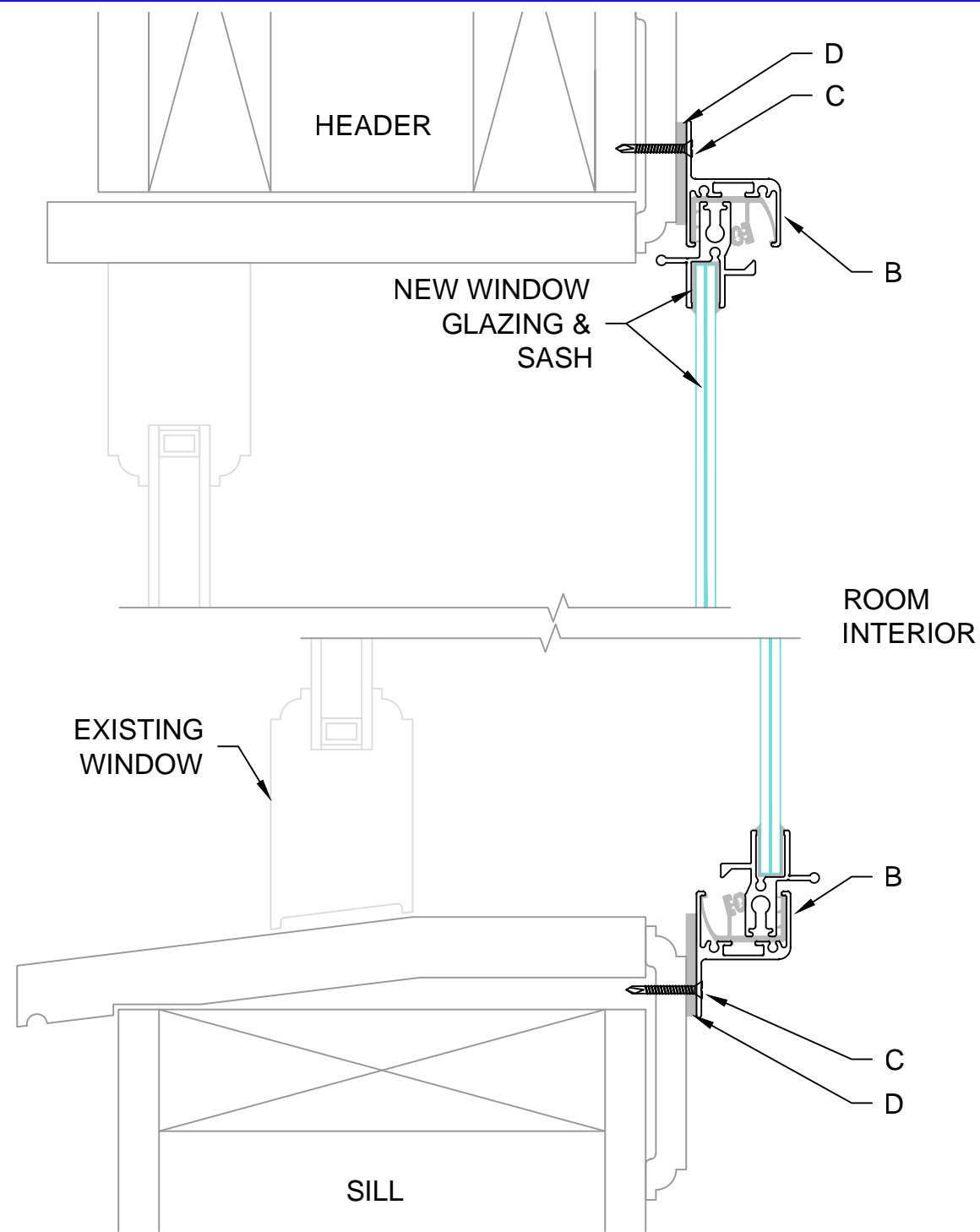


soundproofwindows.com
1.877.438.7843
1.877.226.4063 fax

INSTALLATION - 02



STANDARD MOUNT FRAME
INSET TO EXISTING OPENING



SURFACE MOUNT FRAME
INSTALLED ONTO EXISTING OPENING

NOTES:

SOUNDPROOF WINDOWS ARE CUSTOM MANUFACTURED TO FIT ANY CONDITION.

SINGLE HUNG WINDOW STYLE WITH DIFFERENT FRAME COMPONENTS SHOWN IN THIS SECTION PLAN. OTHER STYLES ARE SIMILARLY INSTALLED.

INSTALLATION DETAILS AT SIDE CONDITIONS ARE SIMILAR.

LEGEND:

- A. STANDARD MOUNT FRAME COMPONENT (SHOWN) OR FINLESS MOUNT AS REQ'D.
- B. SURFACE MOUNT FRAME COMPONENT
- C. #6 x 1-1/4" WOOD SCREW AS REQUIRED
- D. PROTECTIVE FOAM TAPE STRIP AS REQUIRED.
- E. CONTINUOUS CAULK BEAD TO FINISH