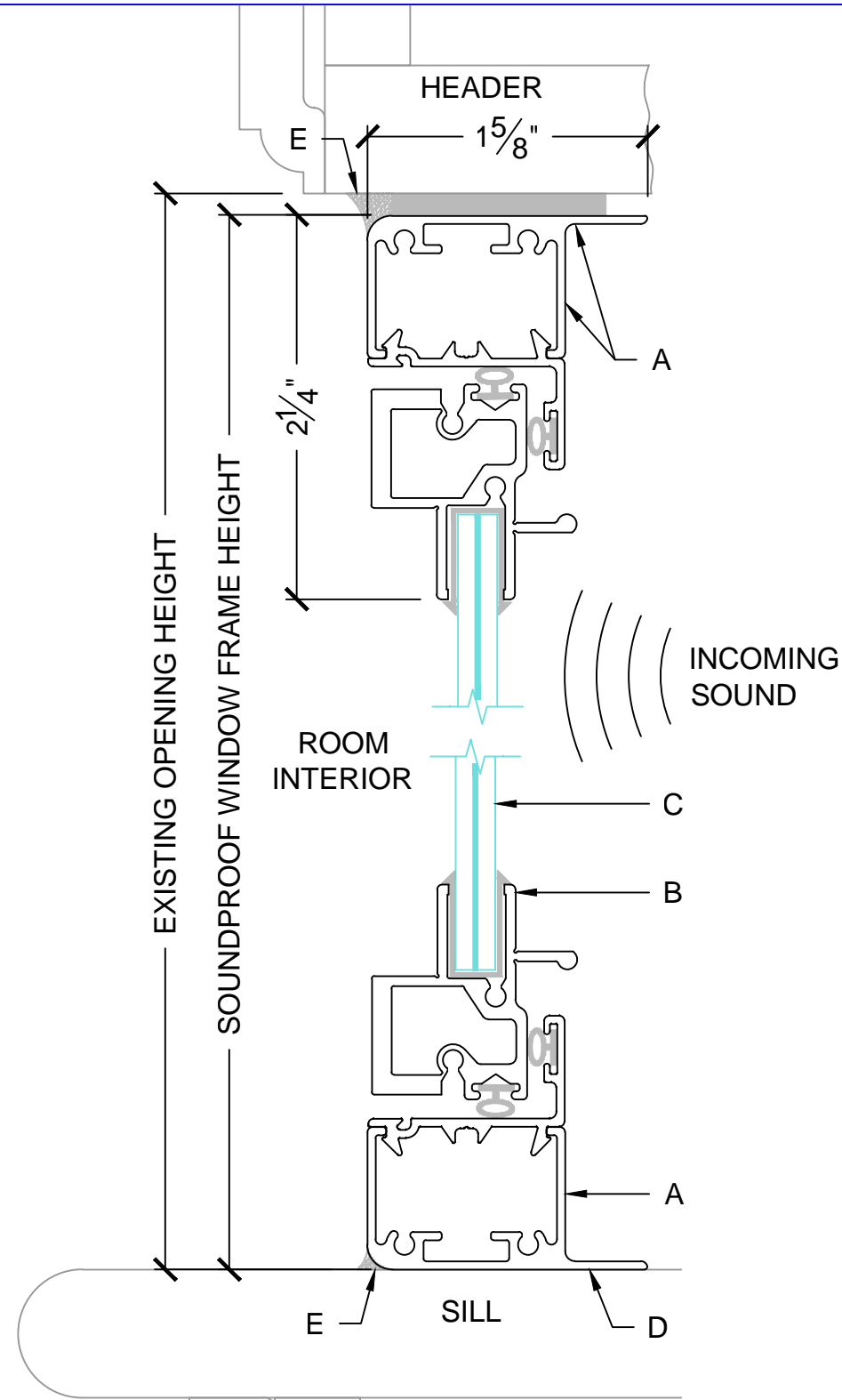
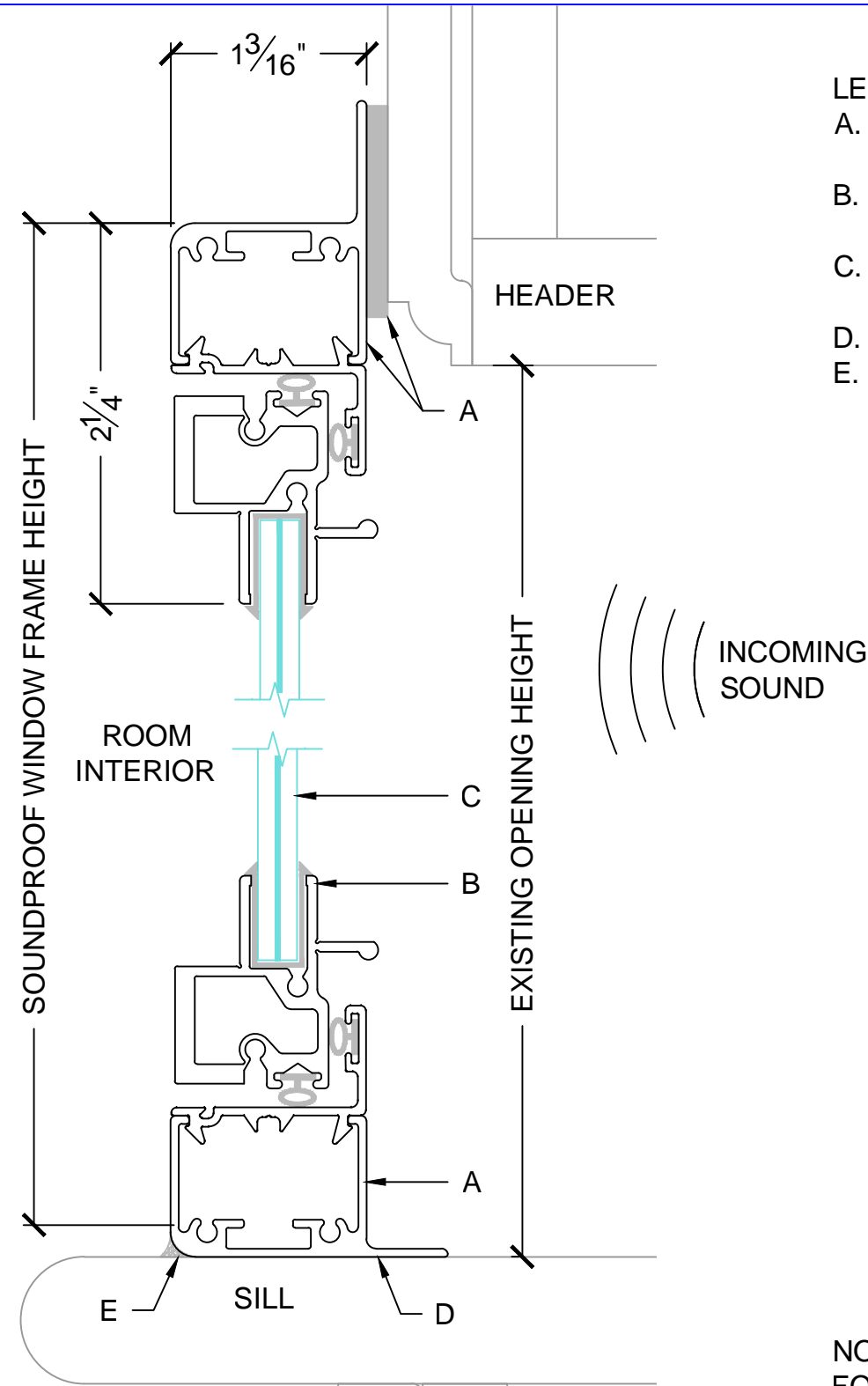


LEGEND:

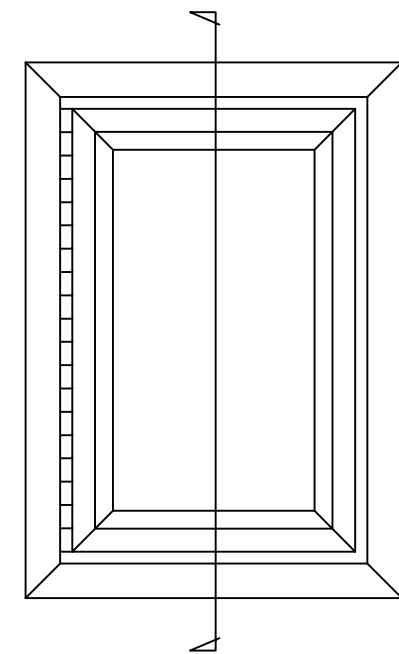
- A. WINDOW UNIT ALUMINUM FRAME WITH FOAM TAPE AS REQUIRED.
- B. SOUND ISOLATED, OPERABLE ALUMINUM WINDOW SASH.
- C. ENGINEERED LAMINATED WINDOW GLAZING.
- D. WINDOW FRAME MOUNTING FIN.
- E. CONTINUOUS CAULK BEAD.



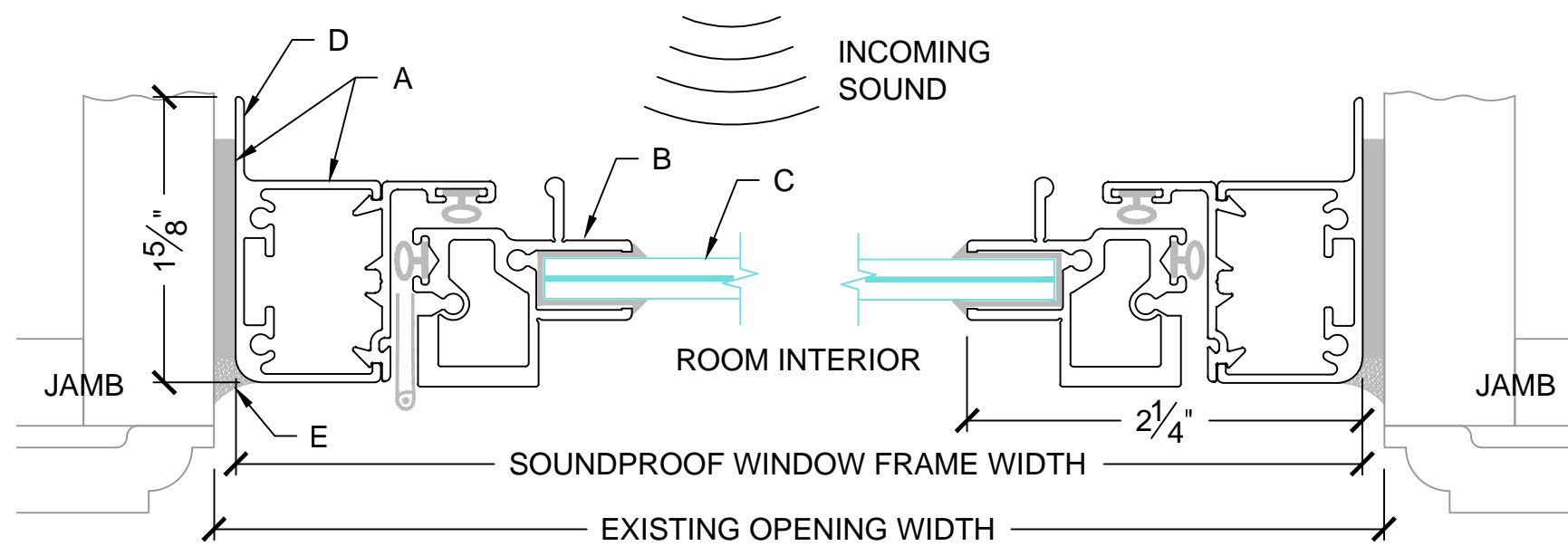
A STANDARD MOUNT
SCALE: 1:1



B SURFACE MOUNT
SCALE: 1:1

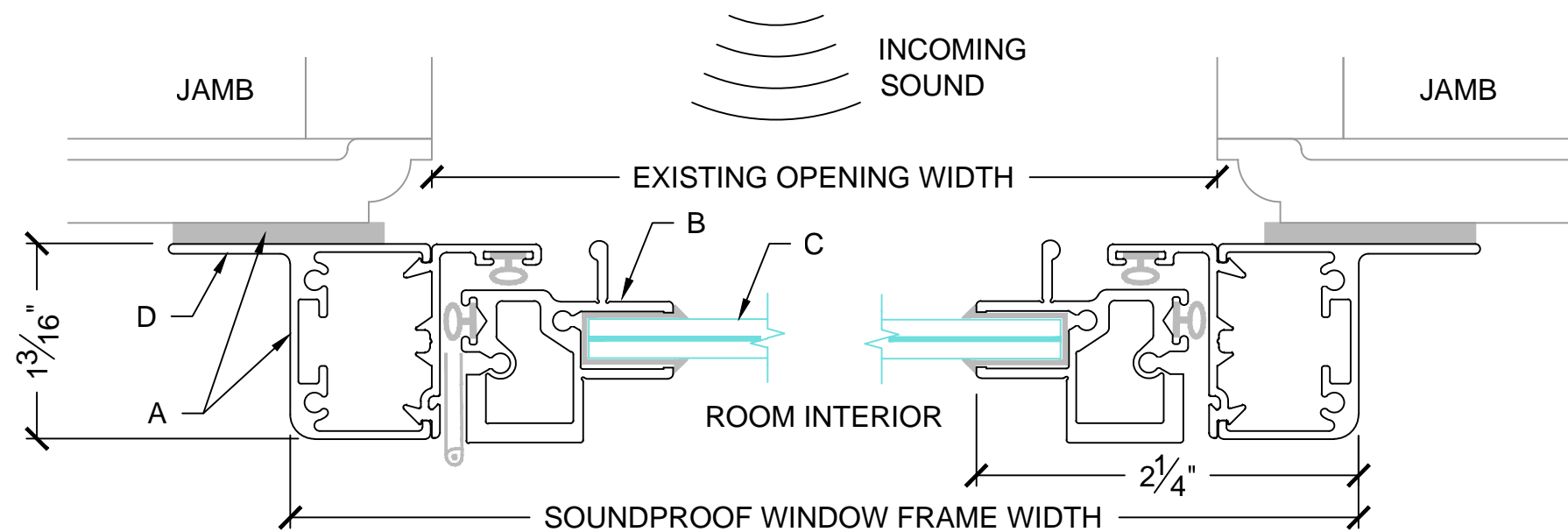


NOTE: SEE INSTALLATION DRAWINGS FOR MORE INFORMATION..

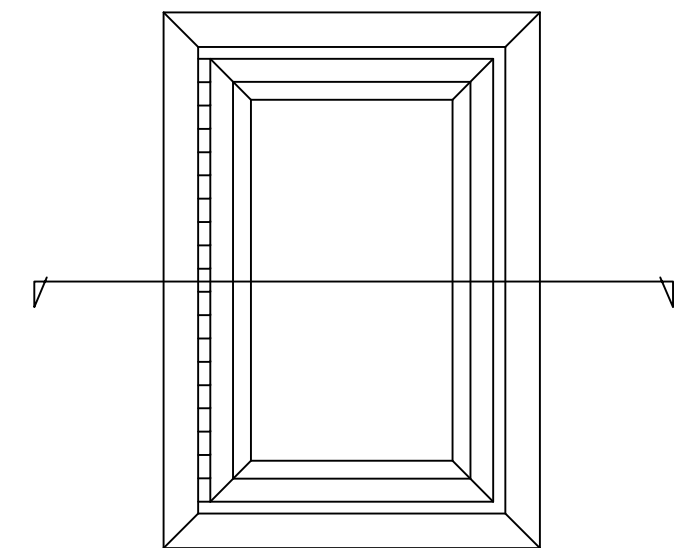


- LEGEND:
- A. WINDOW UNIT ALUMINUM FRAME WITH FOAM TAPE AS REQUIRED.
 - B. SOUND ISOLATED, OPERABLE ALUMINUM WINDOW SASH.
 - C. ENGINEERED LAMINATED WINDOW GLAZING.
 - D. WINDOW FRAME MOUNTING FIN.
 - E. CONTINUOUS CAULK BEAD.

A STANDARD MOUNT
SCALE: 1:1



B SURFACE MOUNT
SCALE: 1:1



NOTE: SEE INSTALLATION DRAWINGS FOR MORE INFORMATION.