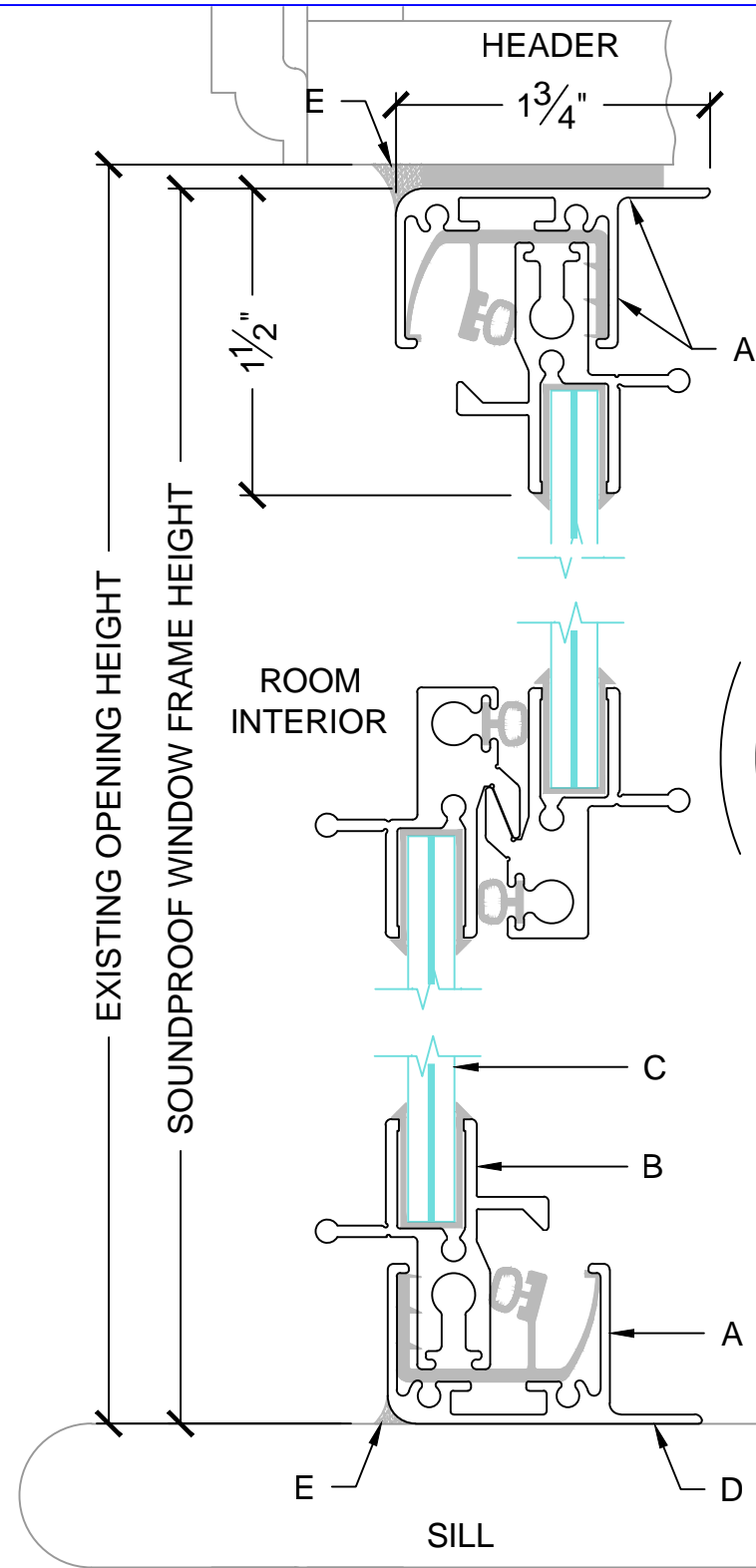
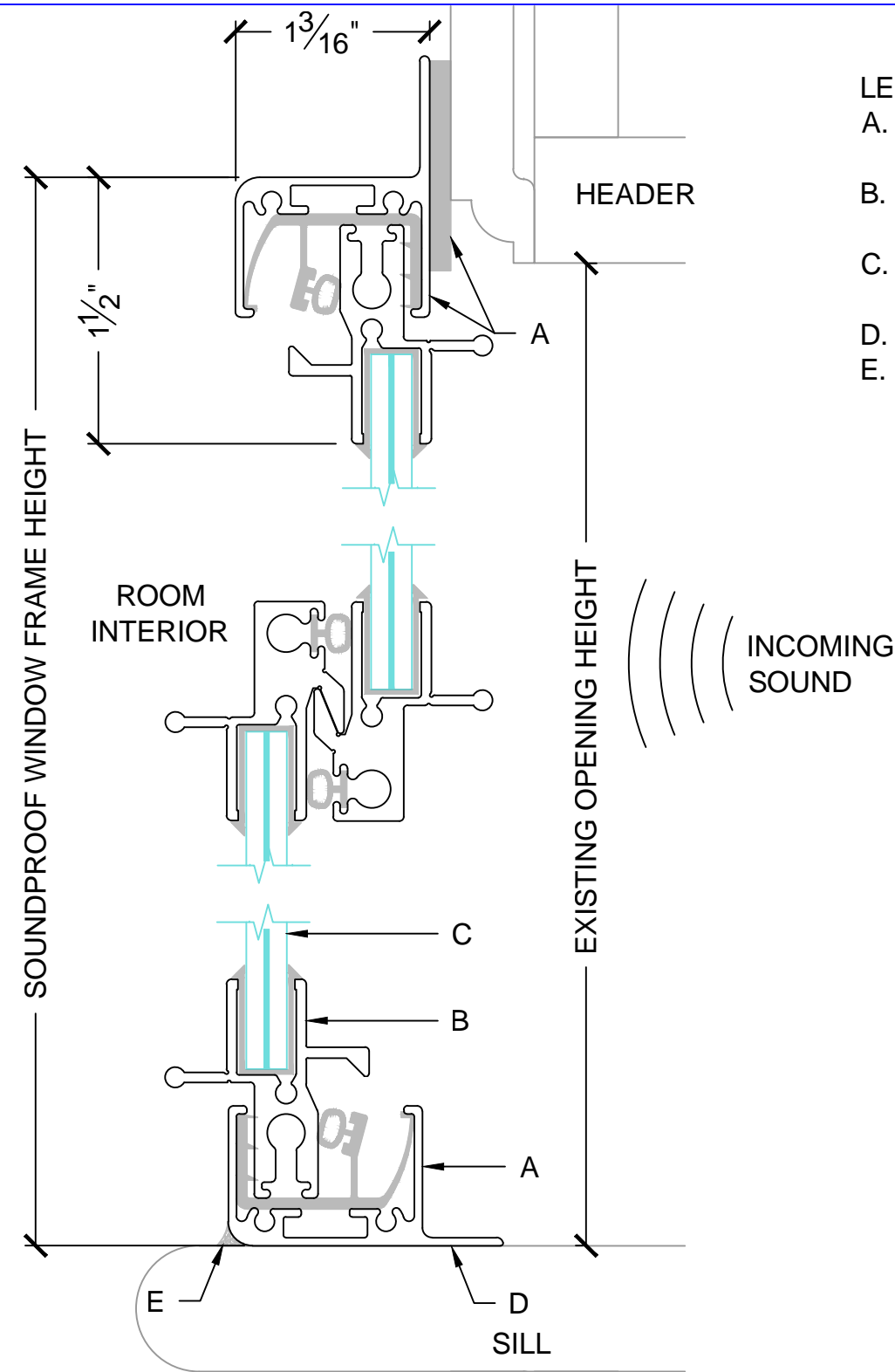


VIEW: VERT. SECTION
SCALE: FULL

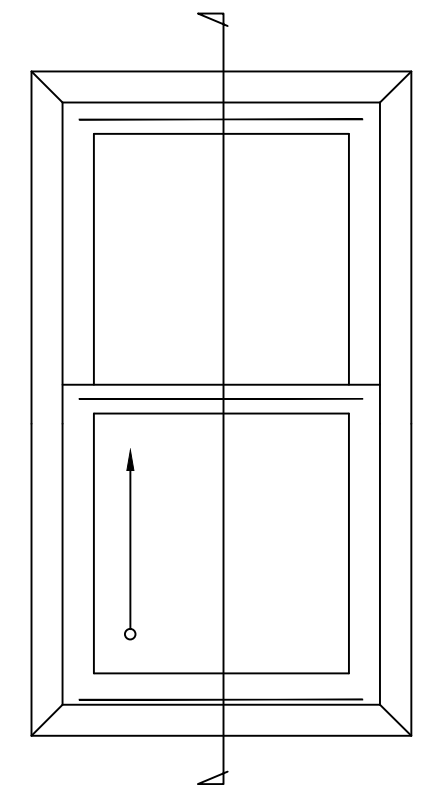
- LEGEND:
- A. WINDOW UNIT ALUMINUM FRAME WITH FOAM TAPE AS REQUIRED.
 - B. SOUND ISOLATED, OPERABLE ALUMINUM WINDOW SASH.
 - C. ENGINEERED LAMINATED WINDOW GLAZING.
 - D. WINDOW FRAME MOUNTING FIN.
 - E. CONTINUOUS CAULK BEAD.



A STANDARD MOUNT
SCALE: 1:1



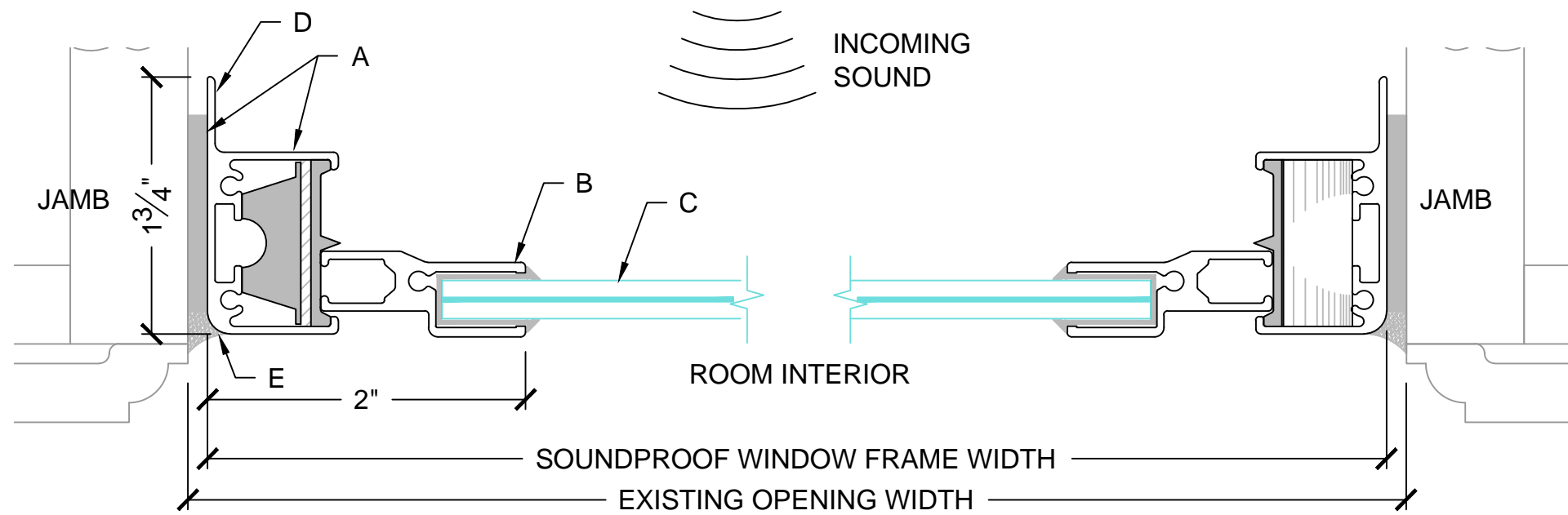
B SURFACE MOUNT
SCALE: 1:1



NOTE: SEE INSTALLATION DRAWINGS FOR MORE INFORMATION..

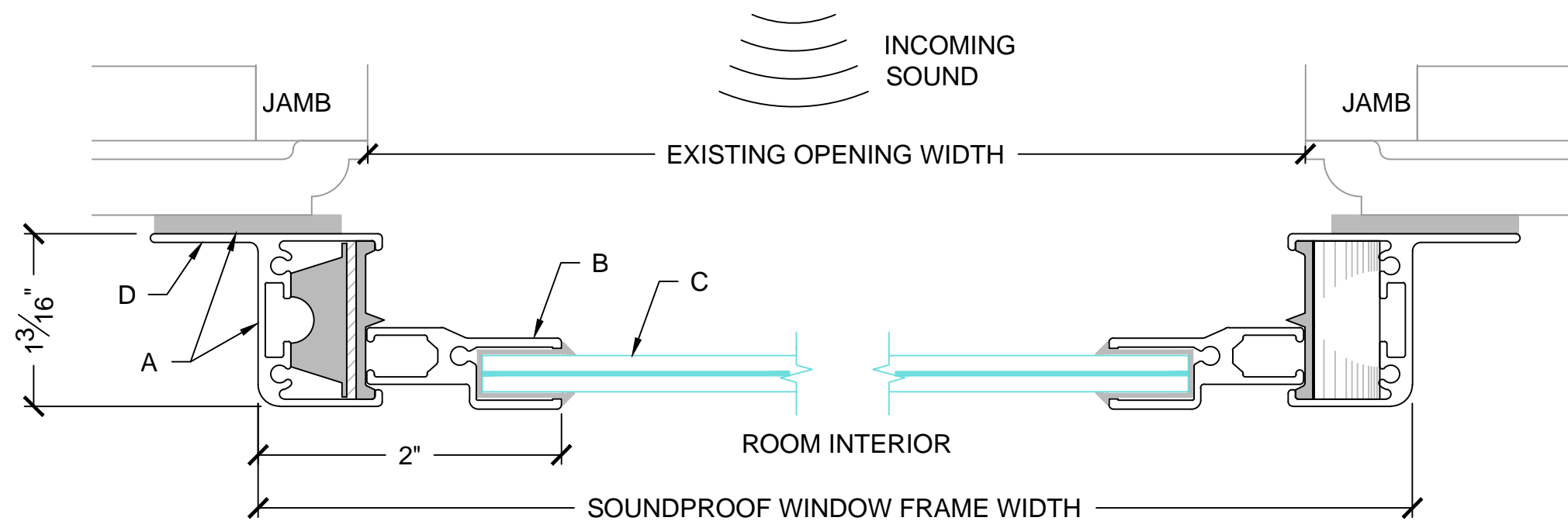
**SOUNDPROOF
WINDOWS**
soundproofwindows.com
1.877.438.7843
1.877.226.4063 fax

SINGLE HUNG - 01

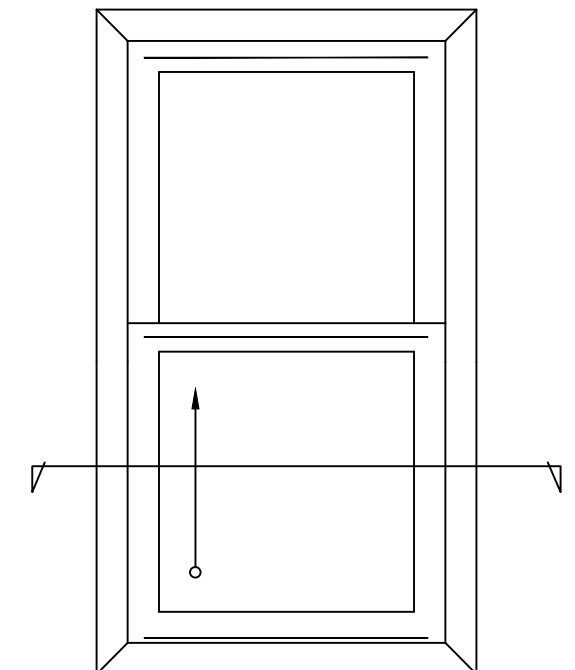


- LEGEND:
- A. WINDOW UNIT ALUMINUM FRAME WITH FOAM TAPE AS REQUIRED.
 - B. SOUND ISOLATED, OPERABLE ALUMINUM WINDOW SASH.
 - C. ENGINEERED LAMINATED WINDOW GLAZING.
 - D. WINDOW FRAME MOUNTING FIN.
 - E. CONTINUOUS CAULK BEAD.

A STANDARD MOUNT
SCALE: 1:1



B SURFACE MOUNT
SCALE: 1:1



NOTE: SEE INSTALLATION DRAWINGS FOR MORE INFORMATION.