

Window Measurement Form



4673 Aircenter Circle Reno, Nevada 89502
 www.soundproofwindows.com Sales@soundproofwindows.com
 Office (877) 438-7843 Fax (877)226-4063

Name: _____

Address: _____

Phone(day): _____ (evening): _____

Window # _____

Window _____

Location: _____

Measurements:

Width | 1-
2-
3-

Height | 4-
5-
6-

The Color You Want:

White
 Bronze Anodized
 Clear Satin Anodized
Custom colors are available

How does this window open?

Up & Down Slides left/right
 Fixed - does not open Cranks Open
 Other _____

Is there a window sill?

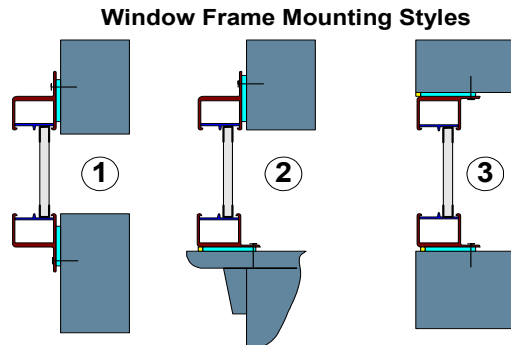
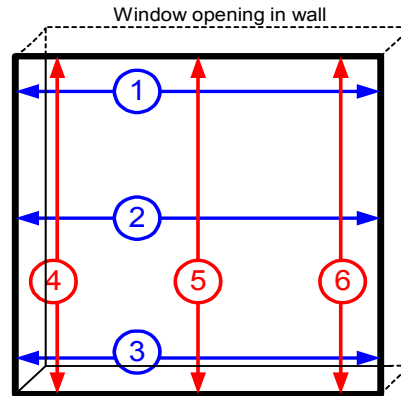
Yes No

Wall to window depth: _____ Inches

Window Frame Mounting Style preferred:

1: Surface Mount
 2: Surface with Sill
 3: **Standard** Flush Mount

Notes:



Window # _____

Window _____

Location: _____

Measurements:

Width | 1-
2-
3-

Height | 4-
5-
6-

The Color You Want:

White
 Bronze Anodized
 Clear Satin Anodized
Custom colors are available

How does this window open?

Up & Down Slides left/right
 Fixed - does not open Cranks Open
 Other _____

Is there a window sill?

Yes No

Wall to window depth: _____ Inches

Window Frame Mounting Style preferred:

1: Surface Mount
 2: Surface with Sill
 3: **Standard** Flush Mount